

BREW EXPRESS®

BEC-110 | AUTOMATIC SELF-FILLING OFFICE COFFEE SYSTEM

10
CUP



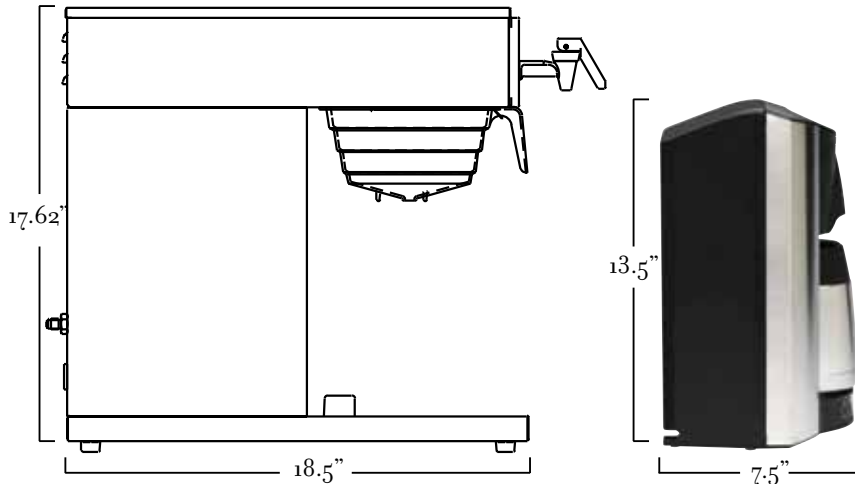
FITS PERFECT IN YOUR SMALL OFFICE

QUICKER BREW TIME - NO RECOVERY PERIOD

AUTOMATIC FILLING - HOT WATER ON DEMAND

VARIABLE CUP SIZE, CHOOSE FROM 8, 25 OR 50 Oz.

QUICK WATER CONNECTOR MAKES IT EASIER TO SERVICE



STANDARD COMMERCIAL BREWERS

BREW EXPRESS

FEATURES

HOT WATER ON DEMAND: Continuous brewing with no recovery time issues. No wait time for the water to heat up.

SMALL SIZE AND PLEASING DESIGN: The Brew Express is only 12.25 w X 13.5 h X 7.5" d and comes in an attractive design that compliments any environment.

EASY SERVICEABLE WATER CONNECTION: Our quick connector makes it easier to service. Just the push of a button, no complicated water line to disconnect or water supply to turn "off".

AUTO-FILL: It's self-filling, so there is no more water mess!

RELIABLE: Designed to last for years. Tested over 18 thousand cycles and certified for commercial & residential use gives you long lasting reliability.

ENERGY EFFICIENT: No preheated water reservoir to keep warm, and no warmer plate to waste power means less cost to operate.

BUILT IN CLOCK & TIMER: Your coffee will be ready when you are.

BREWING OPTIONS: Choose to brew by the cup, half carafe or a full carafe for your favorite hot beverage.

ADJUSTABLE VOLUME OPTION: This feature allows you to increase your volume for each brewing option.

PAUSE AND BREW: No need to wait for the carafe to finish filling.

SAFETY FEATURES:

- The patented infrared carafe detect sensor prevents brewer from running without a cup or carafe present.
- Optional Carafe Lock is available for keeping the carafe in place. Great for child safety!
- No water detection provides an error code, and it won't damage the brewer.

CAPACITY: 1.5 liter (50 oz.) carafe, 25 oz. half carafe, or 8 oz. option.

QUICK BREW TIME: 6 minutes, 3 minutes, 70 seconds.

QUALITY COFFEE: Built to the coffee industry standards for proper brewing quality.

WATER CONNECTION



CONNECTION PARTS & WATERLINE PROVIDED

SPECIFICATIONS

ELECTRICAL: 120 V / 1400 WATTS / 12 AMP

BREW CAPACITY: 50 oz. / 1.5 L

BREWING OPTIONS: Single cup / half or full carafe

WATER LINE: 1/4" CPC quick connection (included)

PARTS PROVIDED:

- 1/4" 12' Length John Guest white
- Angle stop connection
- Even "T" connection

WATER LINE PRESSURE: 30 - 90 PSI

DIMENSIONS: 12.25 W x 13.5 H x 7.5 D

SHIP DIMENSIONS: 13.5 D x 16 H x 14.5 W

WEIGHT: 18 lbs

SHIP WEIGHT: 20 lbs

LISTINGS: UL, cUL listed for Commercial & Residential Use

RELIABILITY TESTING: 18,000 cycles

PO Box 1726 Longview, WA 98632

toll-free (866) 268-5953

www.brewexpress.com

Patent No. 7,673,556, U.S. & Foreign Patents Pending

©2010 Brew Express. All rights reserved.

Brew Express is a registered trademark of Quality Brewing Inc.

